

Quick Start Guide

WVE6515, WVE6516 oven series

Dear Customer,

Thank you for purchasing a Westinghouse oven. You have chosen a product that comes from a history of durable and reliable products loved by many families. We look to help you make the most of your time at home, so you can spend your time doing what you really love, with the ones you love.

Welcome to Westinghouse.

Ready



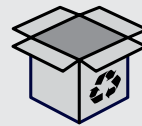
This is a Quick Start Guide. Please refer to user manual online for detailed information and installation

To access your detailed user manual online, simply scan the QR code on your smart phone.

For more detailed information and installation guide refer to user manuals at westinghouse.com.au/manuals

Before you start, please make sure:

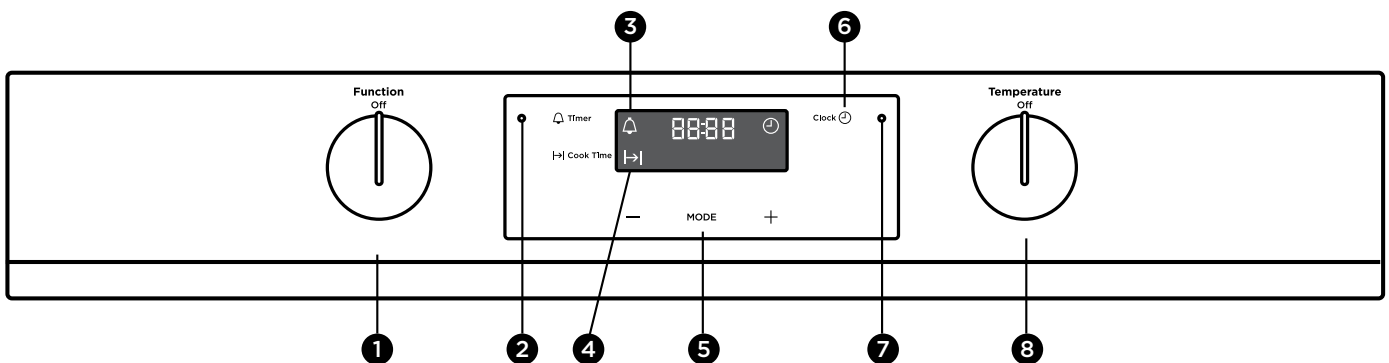
- Your oven has been correctly installed by a qualified person.
- Your oven has power and is switched on.
- You've removed all relevant packaging.



Most of the packaging materials can be recycled. Please dispose of them at your local recycling centre or in your own recycling bin.

Set...

Get to know your oven control panel:



- | | |
|----------------------------|-----------------------------------|
| 1 Function selector | 5 Electronic Clock |
| 2 Function indicator light | 6 Time of day icon |
| 3 On when timer is set | 7 Oven/grill indicator light |
| 4 Cook time Icon | 8 Oven/grill temperature selector |

Set...

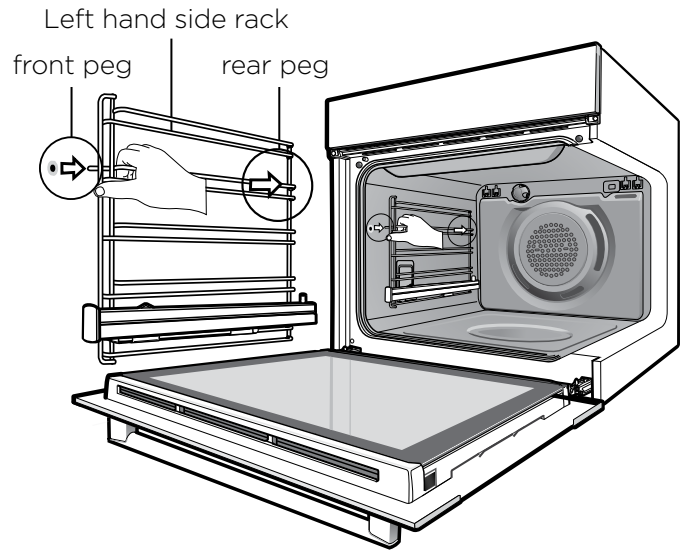
Installing the oven accessories

1. Install telescopic slides (where supplied) to the side racks. Refer to installation guide supplied with oven slides.

2. Insert side racks

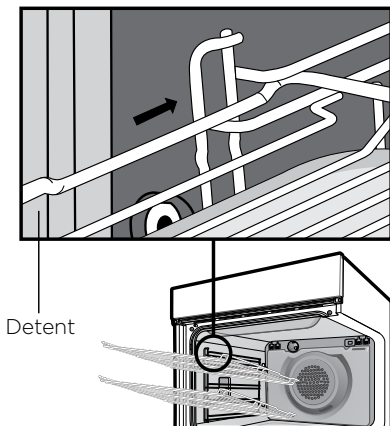
There is a left hand and right hand version (see image for details).

1. Insert the rear peg into the rear access hole provided, ensuring that the peg is fully inserted.
2. Then locate the front peg into the front access hole and push in firmly.



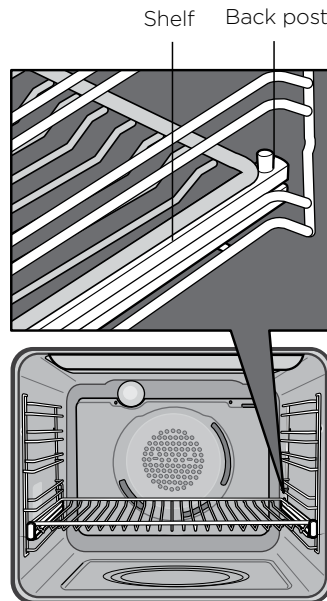
3. To fit a shelf or tray to side racks:

1. Locate the rear edge of the shelf in between guide rails of the side rack. Ensure the same rail positions on both sides of the oven are being engaged.
2. With the front edge raised, slide the shelf into the oven.
3. Once the detents have passed the front edge of the side rack, the shelf can be pushed completely in.

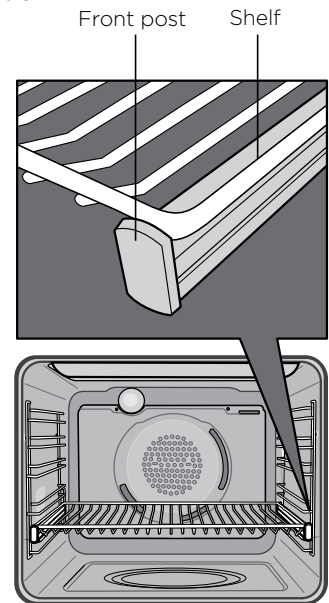


4. Fit shelf/tray (where supplied) to telescopic slides

1. Push the shelf or tray along the top of the slide until it hits the back post.



2. Drop the front of the shelf or tray onto the slide ensuring it sits behind the front post of the slide.



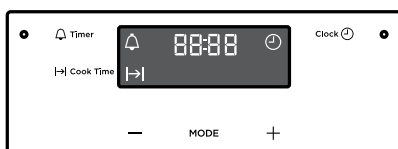
3. When fully inserted the shelf/tray should not interfere with the closed oven door.

Set the time

You must set the time before you can operate your appliance.

1. After the appliance has been electrically connected, '12:00' will be displayed and the clock icon will flash
2. Press + or - symbols/buttons to set the time of day

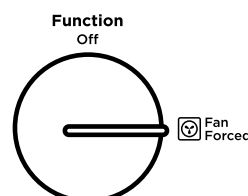
NOTE: The clock has a 24 hour display.



Condition the oven (to burn off any residue)

New appliances can have oil or residue left from manufacturing. You will need to heat your oven for 30 minutes before using it for the first time.

1. Turn the function selector dial to FAN FORCED
2. Using the temperature selector, set the oven at 180°C for approximately 30 minutes. Please ensure that the room is well ventilated during this process.



Go!

You're ready to use your new Westinghouse appliance. A few tips from us:

Remember to pre-heat each time.

For best cooking results pre-heat the oven. Pre-heating allows the oven to reach the required temperature quickly and efficiently as well as cook food at the correct temperature for the entire cook time. Recommended pre-heat time is 30 mins for baking and 3 minutes for grilling.

Choose the right program for the best result:

**FAN
FORCED**



This setting is best used when cooking on multiple shelves at once or reheating complete meals for your family.

**FAN &
GRILL**



When cooking large cuts of meat, this setting gives you result that is similar to 'roisserie' cooked meat. When using 'Fan Grill' it is not necessary to turn food over during the cooking cycle. Set temperature to 180°C and cook with the oven door closed.

AIRFRY



AirFry for that perfect, healthy crunch. When a food craving hits, make healthier and delicious food right in your oven. Deliver all the flavour and none of the guilt. AirFry allows you to make healthier tasty meals for the entire family – right in your oven. (WVE6516 only)

PIZZA



The "Pizza" function is ideal for foods that require cooking and browning on the base. It is great for foods such as pizzas, quiches, meat pies and fruit pies. Simply place the food in the middle of the oven and set the desired temperature.

**STEAM
ASSIST
CLEANING**



A 30-minute light oven cleaning that's chemical free, odour free and fast. Just add water, turn on the steam cycle and wait until it softens and loosens oven grime, grab a cloth, some detergent and wipe. Your oven is clean again. Easy.
(Available on WVE6516 only)

Refer to your full user manual for more details on oven functions.

Set your temperature

- To set the temperature, turn the temperature selector in a clockwise direction to the desired setting.
- An indicator light in the display will turn on and oven will begin to heat.
- Once the food is cooked, turn the temperature selector back in an anti-clockwise direction.

Note: The desired cooking function must be selected before the oven will turn on.

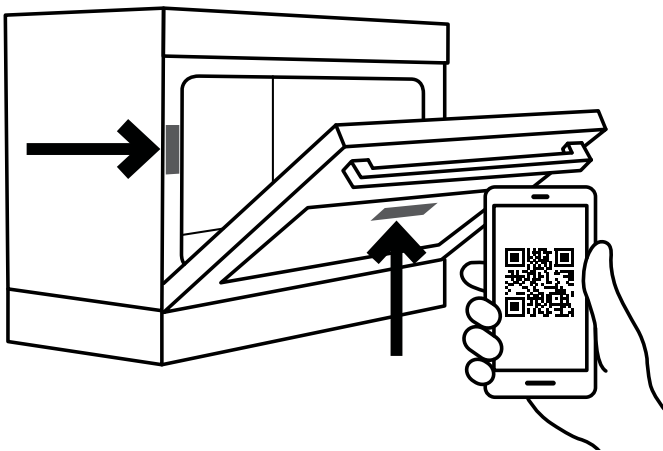
Quick Start Guide

WVE6515, WVE6516 oven series

Enjoy peace of mind. Register your appliance today.

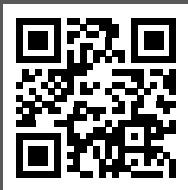
Stay updated on better living services, safety notices and shop for accessories.

- 1. Open the camera app on your smartphone and point at the QR code to scan**
Product Registration QR code is located on the front of your appliance or inside the door rim*.



- 2. Tap the notification or link to open the registration form**
- 3. Complete your details and enjoy peace of mind**

*Exact location of QR code may vary depending on oven model



Need more help?

To access your detailed user manual online, simply scan the QR code on your smart phone. If you prefer a printed manual, please contact our Customer Care Centre using details below.



Contact us if you need more help

Electrolux Home Products Australia

telephone: 13 13 49
email: customercare@electrolux.com.au
web: electrolux.com.au

Electrolux Home Products New Zealand

telephone: 0800 436 245
email: customercare@electrolux.co.nz
web: electrolux.co.nz