

Quick Start Guide

WVE915SCA, WVEP917 oven series

Dear Customer,

Thank you for purchasing a Westinghouse oven. You have chosen a product that comes from a history of durable and reliable products loved by many families. We look to help you make the most of your time at home, so you can spend your time doing what you really love, with the ones you love.

Welcome to Westinghouse.

Ready



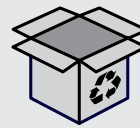
This is a Quick Start Guide. Please refer to user manual online for detailed information and installation

To access your detailed user manual online, simply scan the QR code on your smart phone.

For more detailed information and installation guide refer to user manuals at westinghouse.com.au/manuals

Before you start, please make sure:

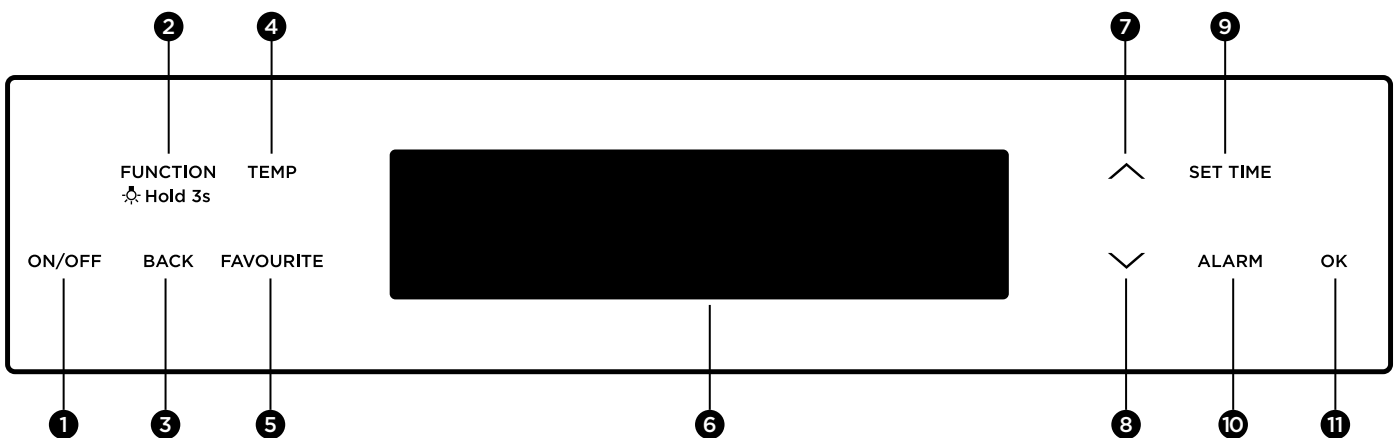
- Your oven has been correctly installed by a qualified person.
- Your oven has power and is switched on.
- You've removed all relevant packaging.



Most of the packaging materials can be recycled. Please dispose of them at your local recycling centre or in your own recycling bin.

Set...

Get to know your oven control panel:



- | | | | |
|----------|---|-----------|-------------------------------------|
| 1 | To turn the oven on/off | 7 | Up |
| 2 | Function selector. Hold to turn oven light on/off | 8 | Down |
| 3 | Go back one level in the menu | 9 | Time and additional function |
| 4 | Select or show temperature. Hold for "Fast Heat Up" | 10 | To set the "Minute Minder" function |
| 5 | Save and access favourite programs | 11 | To confirm the selection or setting |
| 6 | Display | | |

Set...

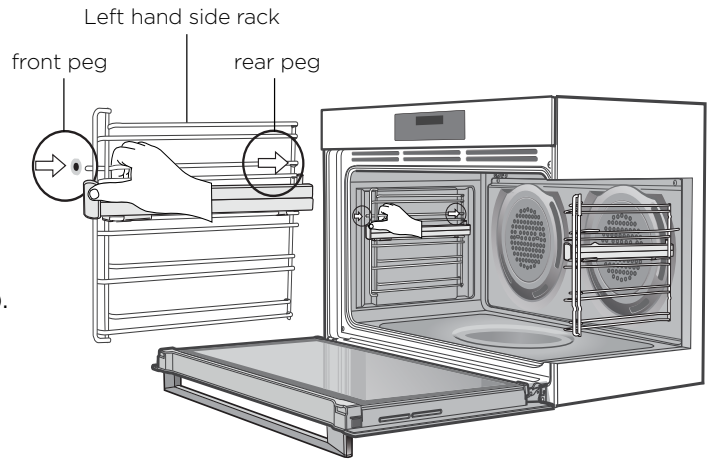
Installing the oven accessories

1. Install telescopic slides (where supplied) to the side racks. Refer to installation guide supplied with oven slides.

2. Insert side racks

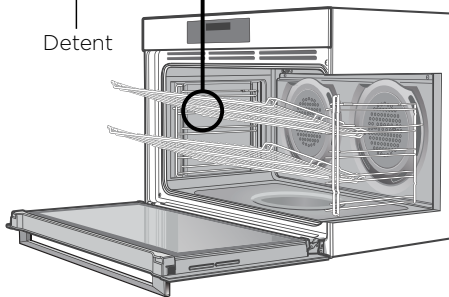
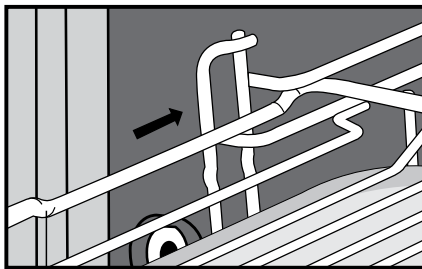
There is a left hand and right hand version (see image).

1. Insert the rear peg into the rear access hole, ensuring that the peg is fully inserted.
2. Then locate the front peg into the front access hole and push in firmly.



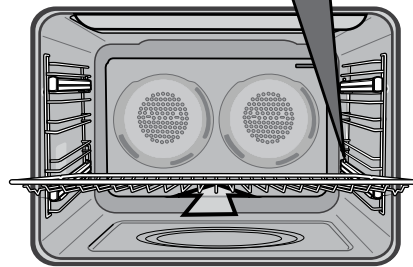
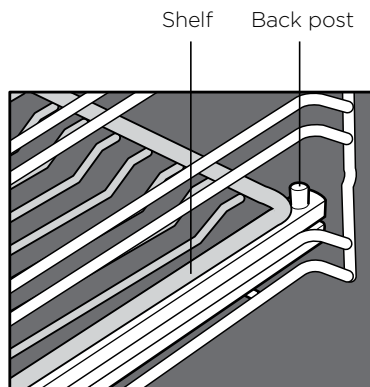
3. To fit a shelf or tray to side racks:

1. Locate the rear edge of the shelf in between guide rails of the side rack. Ensure the same rail positions on both sides of the oven are being engaged.
2. With the front edge raised, slide the shelf into the oven.
3. Once the detents have passed the front edge of the side rack, the shelf can be pushed completely in.

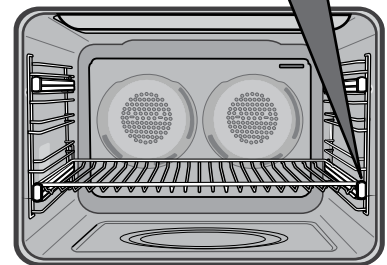
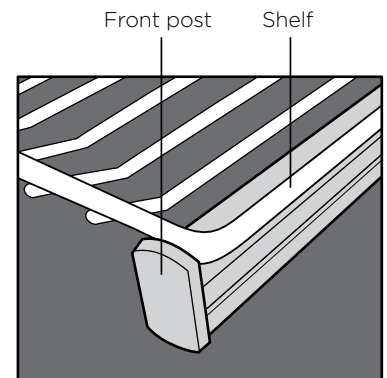


4. Fit shelf/tray (where supplied) to telescopic slides

1. Push the shelf or tray along the top of the slide until it hits the back post.



2. Drop the front of the shelf or tray onto the slide ensuring it sits behind the front post of the slide.



3. When fully inserted the shelf/tray should not interfere with the closed oven door.

Set the time

You must set the time before you can operate your appliance.

1. After the appliance has been electrically connected, press **ON/OFF** to turn **ON**.
2. To set the time, press until settings is highlighted, and press **OK**.
3. Then, "Set time of day" is highlighted, press **OK**.
4. Press \wedge or \vee to set the hour and press **OK**.
5. Press \wedge or \vee to set the minutes and press **OK**.
6. Press **BACK** to return to function menu.

Condition the oven (to burn off any residue)

New appliances can have oil or residue left from manufacturing. You will need to heat your oven for 2 hours before using it for the first time.

1. Press **ON/OFF** and select "Fan Bake" function using \wedge or \vee symbols.
2. Press **OK**.
3. Press \wedge or \vee symbols to set the oven at 180°C and heat for approximately 2 hours. Please ensure that the room is well ventilated during this process.

Go!

You're ready to use your new Westinghouse appliance. A few tips from us:

Remember to pre-heat each time.

For best cooking results pre-heat the oven. Pre-heating allows the oven to reach the required temperature quickly and efficiently as well as cook food at the correct temperature for the entire cook time. Recommended pre-heat time is 30 mins for baking and 3 minutes for grilling.

Choose the right program for the best result:

FAN BAKE



This setting is best used when cooking on multiple shelves at once or reheating complete meals for your family. It will cook faster and at a lower temperature than the "Bake" function.

BAKE



The "Bake" function is ideal for a single tray of biscuits, scones, muffins, cakes, slices, casseroles, baked puddings, roasts and delicate egg dishes.

FAN ASSIST



Heat comes from above and below the food, and fans circulate the hot air around the oven cavity so you can put the food in different places in the oven and cook them at the same time. Use a maximum of 2 shelves with "Fan Assist", but not the bottom shelf. If two shelves are used, food on the shelf in the higher position will be ready first.

PIZZA



The "Pizza" function is ideal for foods that require cooking and browning on the base. It is great for foods such as pizzas, quiches, meat pies and fruit pies. Simply place the food in the middle of the oven and set the desired temperature.

AIR FRY

(WVEP917 only)



Air Fry uses superheated air that is quickly and evenly circulated around the oven to deliver that crispy-on-the-outside, juicy-on-the-inside taste with little or no oil.

EASY BAKE
STEAM

(WVEP917 only)



The "Easy Bake Steam" function adds steam while baking. Steam assisted baking helps the dough to rise, and consistently produces soft, moist interiors with crisp, golden crusts. Add water to the cavity well before preheating, while the oven is cold.

Refer to your full user manual for more details on oven functions.

Set your temperature

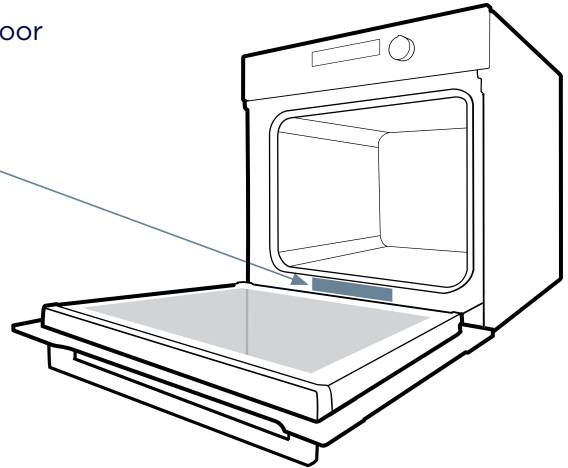
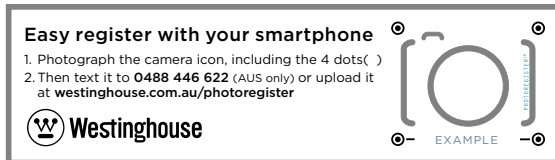
Once the function is selected press \wedge or \vee symbols to set your desired temperature.

Quick Start Guide

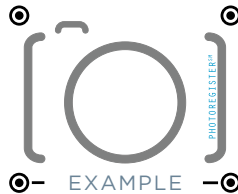
WVE915SCA, WVEP917 oven series

Easily register your product with your smartphone for quick access to all services and downloads

Step 1

 Locate the label on the inside of your product door

Step 2

 Photograph the camera icon, including the 4 dots ()

Step 3

 Text image to **0488 446 622** (AUS only) or upload at westinghouse.com.au/photoregister

Need more help?

To access your detailed user manual online, simply scan the QR code on your smart phone.



Customer Care Centre

Contact us if you need more help

Electrolux Home Products Australia

telephone: 13 13 49
email: customercare@electrolux.com.au
web: electrolux.com.au

Electrolux Home Products New Zealand

telephone: 0800 436 245
email: customercare@electrolux.co.nz
web: electrolux.co.nz