



HANDLE INSTALLATION

WRB5004/ WFB4204

GENERAL WARNINGS

Please read the user manual carefully and store in a handy place for later reference. Pass the user manual on to possible new owners of the appliance.

Read the following carefully to avoid damage or injury.

NOTE: You must read these warnings carefully before installing or using the accessory. If you need assistance, contact your Customer Care Department. The manufacturer will not accept liability, should these instructions or any other safety instructions incorporated in this book be ignored.



ENVIRONMENT

Remove and discard any packaging material before using this accessory. Most of the packaging materials are recyclable. Please dispose of those materials through your local recycling depot or by placing them in the appropriate collection containers.



WARNING

Risk of suffocation, injury or permanent disability.

- This accessory is not intended for use by persons (including children) with reduced physical, sensory or mental capabilities, or lack of experience and knowledge, unless they have been given supervision or instructions concerning the use of the appliance by a person responsible for their safety.
- This accessory may contain small parts that are a choking hazard. Not suitable for children under 3 years of age.



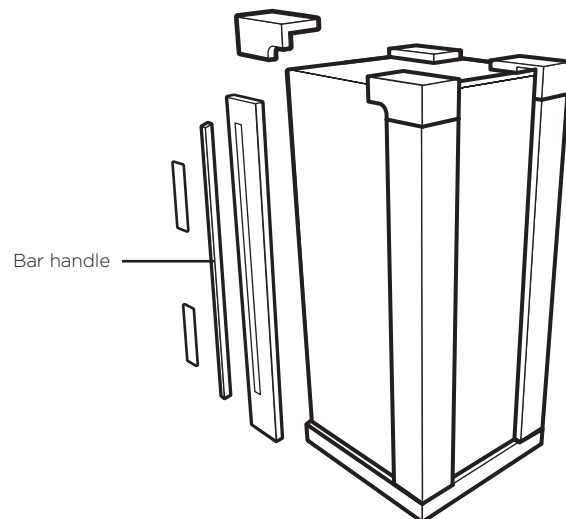
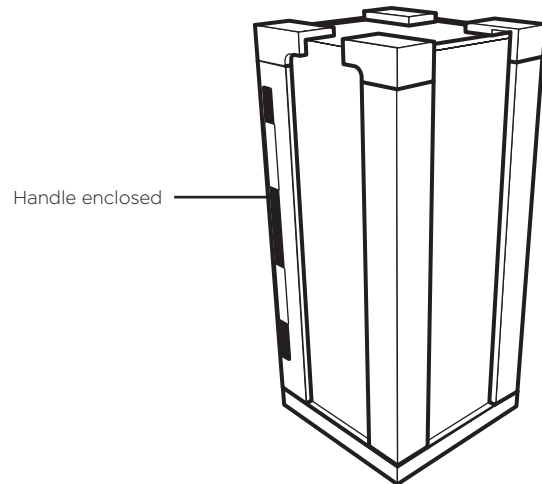
CAUTION

It is important to use your appliance safely. Check these safety points before using your appliance.

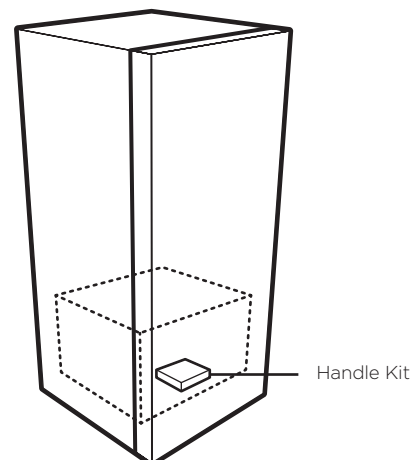
- Do not use or place the accessory near the edge of the table or counter, near hot gas, stove, electric burner or heated oven.
- This accessory is for indoor use only.
- This accessory is intended for domestic use only. Electrolux will not accept any liability for possible damage caused by improper or incorrect use.
- When cleaning, use only a soft cloth with an unscented mild soap and lukewarm water.
- Never use hot water, solvents, commercial kitchen cleaners, aerosol cleaners, metal polishes, caustic or abrasive cleaners, or scourers to clean the accessory, as they may damage it. Many commercially available cleaning products and detergents contain solvents that will damage your accessory.

LOCATE HANDLE BAR AND HANDLE KIT

- The bar handle is securely packed in the rear left hand EPS corner post packing.



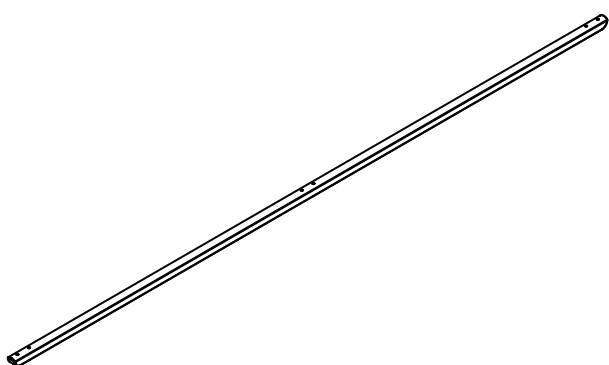
- The handle kit is located in the bottom of your refrigerator crisper or freezer drawer.



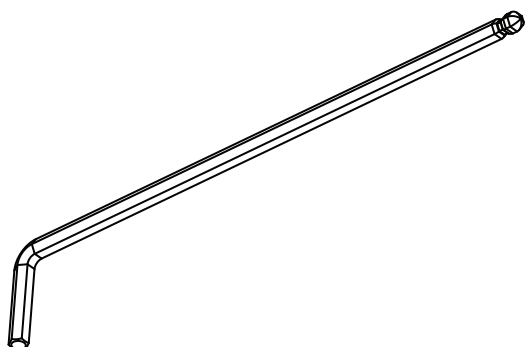
KIT CONTENTS

Read and follow instructions carefully when installing the handles on this appliance, you may not be eligible to make a claim under warranty for damage caused by incorrect installation techniques. Please refer to warranty card in the product user manual for further warranty information.

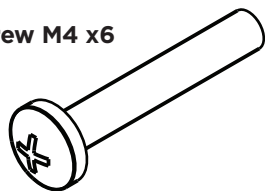
Handle bar
(located in rear left hand corner eps packaging)



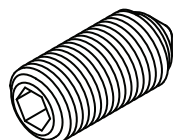
Allen key x1



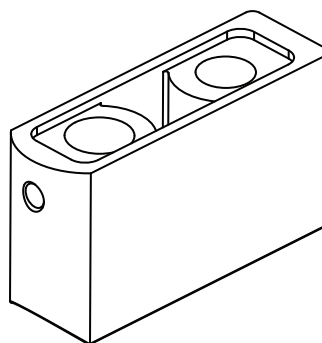
Screw M4 x6



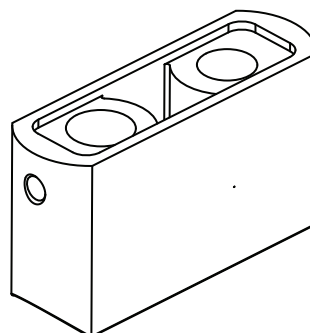
plug screw hole
x6 White
x6 Grey



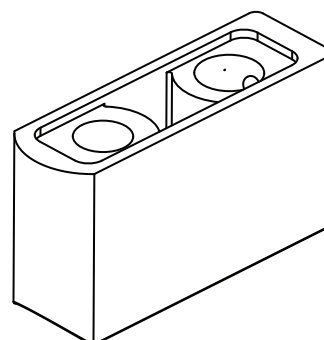
Handle bracket (A) x1



Handle bracket (B) x1



Handle bracket (C) x1



INSTALLATION

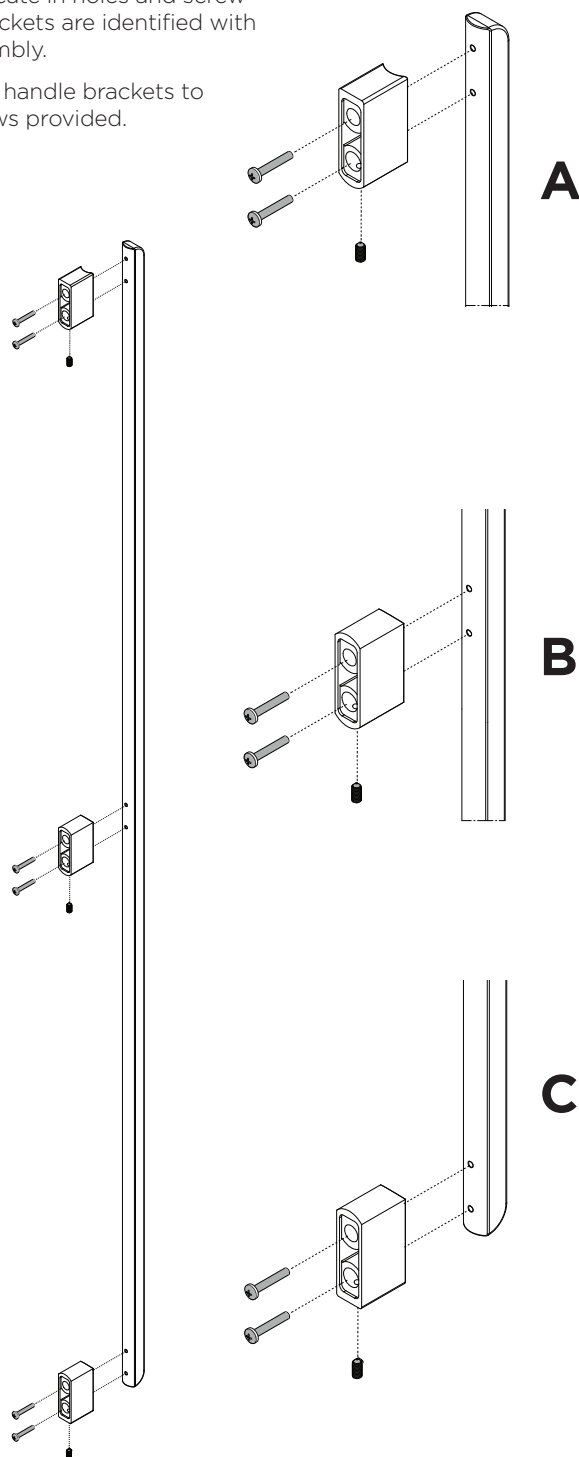
NOTE: To change your appliance door opening from left hand to right hand or vica versa you will need to purchase a door reversal kit part number A05807201.

Please contact 131350 or <http://shop.electrolux.com.au>

Bar handle assembly

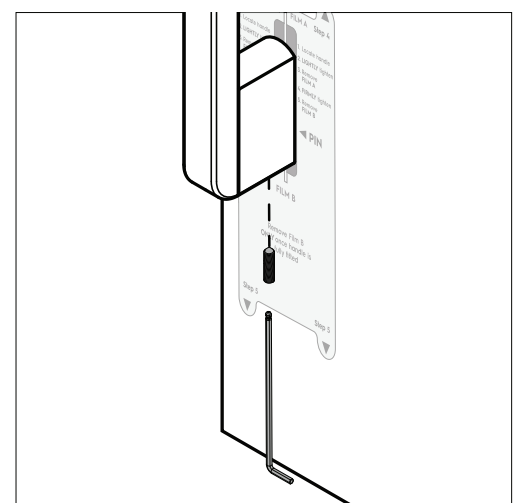
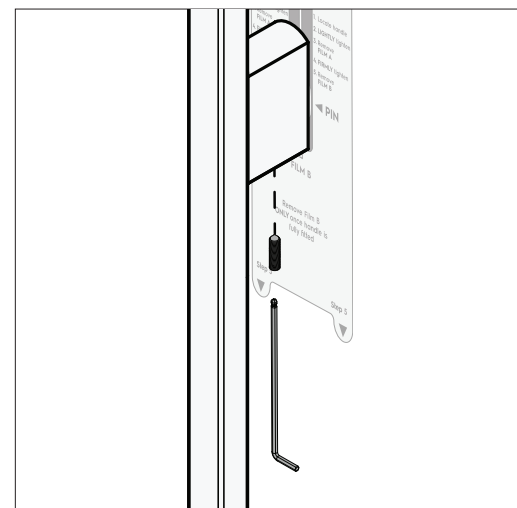
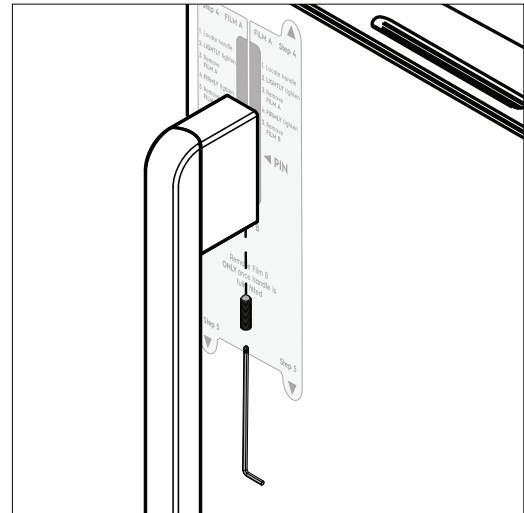
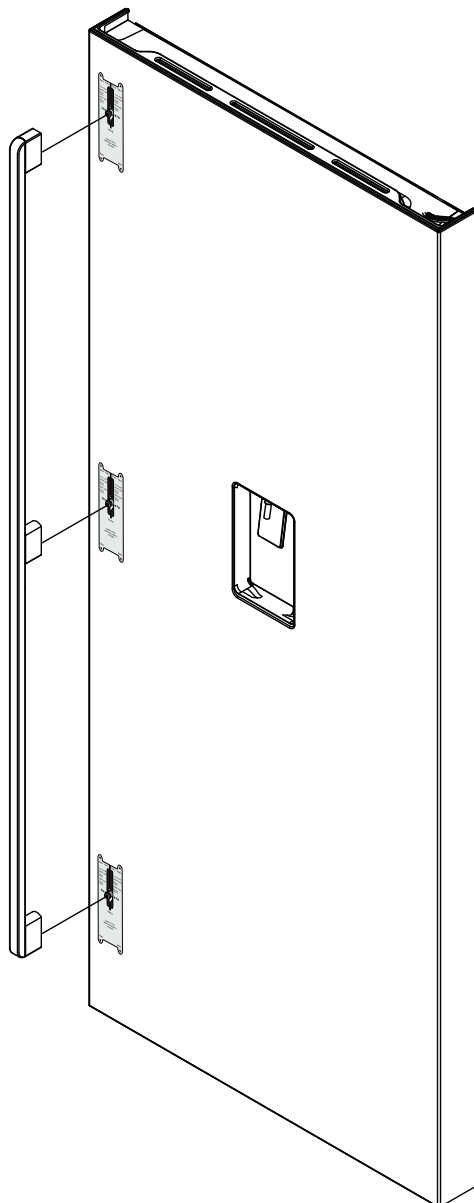
- Using a suitable work space, place handle bar with screw holes facing up on a soft surface to prevent damage to handle.
- Locate and position the three handle brackets on handle bar so that the pins locate in holes and screw holes align. Note that the brackets are identified with letters A, B and C to aid assembly.
- Using Allen key, assemble the handle brackets to handle bar using the M5 screws provided.
- Ensure all screws are tight.

Assemble bar handle to door



- Identify the correct side of the door to fit handle (opposite hinge).
- Align screw holes on handle with holes in door.
- Using Allen key attach handle assembly to the door with M4 screws provided.
 1. Fit one screw finger tight to middle bracket 'B'.
 2. Fit one screw finger tight to top and bottom brackets 'A' and 'C'.
 3. Ensure handle is located correctly onto the door.
 4. Fit remaining 3 screws and tighten.
- Ensure all screws are tightened.
- Fit Covers by clipping onto brackets.

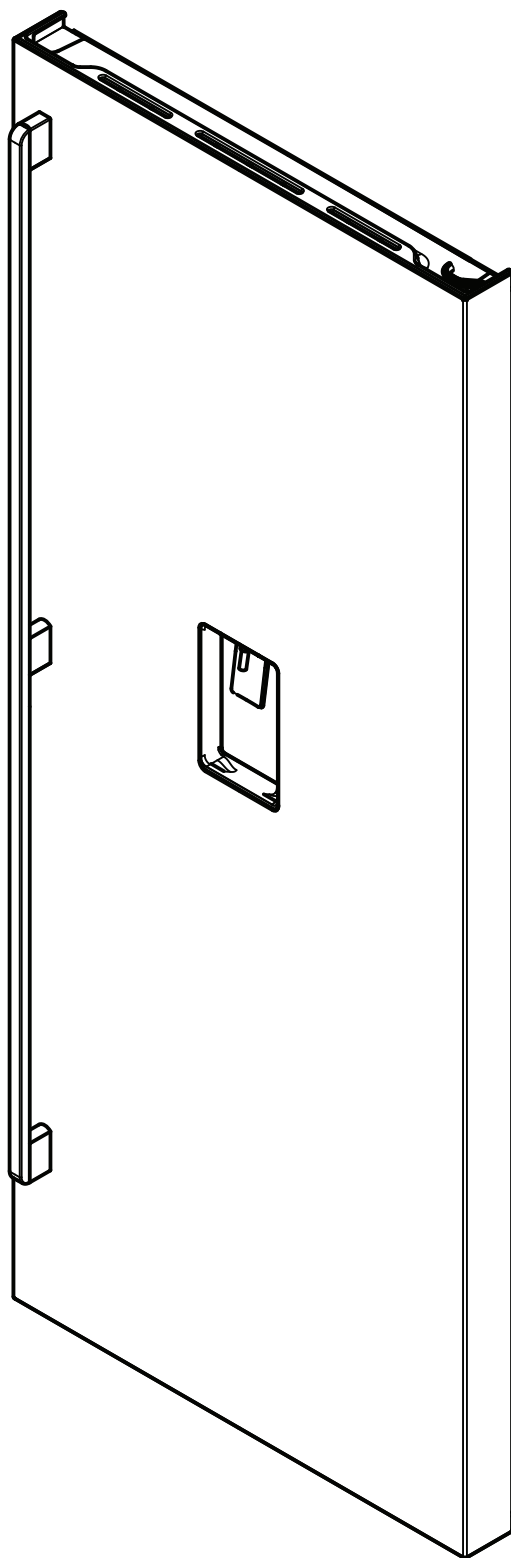
Assemble screw hole plugs



INSTALLATION (CONTINUED)

- Select plugs of correct colour to match your refrigerator.
- Push plugs into screw holes on hinge side of door.

Your handle installation is now complete.



For more information on all Westinghouse appliances, or for dimension and installation information, call into your retailer, phone or email our customer care team or visit our website:

AUSTRALIA


phone: 1300 363 640
fax: 1800 350 067
email: customercare@electrolux.com.au
web: westinghouse.com.au

NEW ZEALAND

phone: 0800 436 245
fax: 0800 225 088
email: customercare@electrolux.co.nz
web: westinghouse.co.nz

Important Notice

<p>FOR SERVICE or to find the address of your nearest state service centre in Australia PLEASE CALL 13 13 49 <small>For the cost of a local call (Australia only)</small></p>	<p>SERVICE AUSTRALIA  Electrolux ELECTROLUX HOME PRODUCTS electrolux.com.au</p>	<p>FOR SPARE PARTS or to find the address of your nearest state spare parts centre in Australia PLEASE CALL 13 13 50 <small>For the cost of a local call (Australia only)</small></p>
<p>FOR SERVICE or to find the address of your nearest authorised service centre in New Zealand FREE CALL 0800 10 66 10 <small>(New Zealand only)</small></p>	<p>SERVICE NEW ZEALAND  Electrolux ELECTROLUX (NZ) Limited electrolux.co.nz</p>	<p>FOR SPARE PARTS or to find the address of your nearest state spare parts centre in New Zealand FREE CALL 0800 10 66 20 <small>(New Zealand only)</small></p>

 and WESTINGHOUSE are trademarks of Westinghouse Electric Corporation. Used under license by Electrolux Home Products Pty Ltd. All Rights Reserved.

© 2019 Electrolux Home Products Pty Ltd.
Part Number: A04916509
ABN 51 004 762 341
WMAN_ASP_70HANDLE_IM_Oct19