

90cm multi-function 10 stainless steel PyroClean oven with AirFry, telescopic runners, twin fan, and 125L gross capacity.



Product Details

FEATURES

AirFry	Twin Fan System	Fast Heat Up	PyroClean
Telescopic Runners One set of telescopic runners	Large 125L gross oven capacity	Programmable timer	Easy guide side racks
Cooler to Touch Doors	Quadruple glazed doors	Fingerprint resistant stainless steel	

BENEFITS

AirFry for that perfect crunch

When a food craving hits, make healthier and delicious food right in your oven with minimal oil. Deliver all the flavour and none of the guilt. AirFry allows you to make healthier, tasty meals for the entire family right in your oven.

Even cooking twin fan system

Our twin fan system that works to evenly distribute heat throughout the oven so you can enjoy delicious results every time.

Dinner's done sooner with our fast heat up oven

Why wait longer? Our fast oven heat up means you can get on with the job of getting dinner on the table sooner.

Ovens that clean up after themselves

Even cleaning up is easier with Westinghouse. Choose a PyroClean oven and with the press of a button you can keep your oven shiny and clean. The oven turns on to an extremely high temperature, turning grease and grime into ash. All you need to do is simply wipe the residue away. No nasty chemicals, no greasy mess just a sparkling clean oven with minimal effort.

Designed for ease and safety

Telescopic runners are another piece of thoughtful design that makes it easy to draw racks out and safely check on your dishes during cooking.

Built in Australia

Westinghouse, has been the heart of the home for generations and the kitchen appliance brand we have always known and trusted to build reliable products. This oven is built in a local factory in Adelaide.

All the room for all your family favourites

If you are serious about creating delicious family feasts and you love entertaining, you'll be right at home with our 90cm oven with a generous 125L gross capacity. That's plenty of room for the biggest Christmas turkey or a weekend roast for all the family. The extra width makes getting things in and out super easy.

Specifications

PRODUCT PROFILE

Domestic warranty details (yrs)	2
Type of Oven	single pyrolytic oven
Oven fuel	electric
Materials/Colour	mark resistant stainless steel
Controls of Oven	control knob,touch control LED
Cooling fan	Yes

FLUSH FIT CUT OUT

Flush fit cut out height (mm)	600
Flush fit cut out width (mm)	900
Flush fit cut out depth (mm)	581

DIMENSIONS

PRODUCT DIMENSION

Total height (mm)	596
Total width (mm)	895
Total depth (mm)	573

MAIN OVEN

Gross capacity litres	125
Useable capacity litres	116
Oven function	multifunction
Number of functions	10

ELECTRICAL CONNECTION

Connected load KW	5.1
Maximum current rating (amps)	20.8
Type of connection	hardwired

MAIN OVEN

Oven Functions	base heat,fan grill,AirFry,grill,maxi grill,traditional bake,pizza,defrost,fan forced cooking,Pyroclean
Oven liner	pyrolux high temperature enamel
Timer functions	duration,end,minute minder,oven start,Countdown
Light wattage	25

OTHER FEATURES

Cleaning	pyrolytic
Pyrolytic functions	2
Type of Pyrolytic functions	pyrolytic light clean,pyrolytic medium clean
Door	removable door,removable inner glass panes,drop down
Timer	Fully programmable touch control timer
Lights	2
Light wattage	25
Light position	top

OTHER FEATURES

Telescopic runners	one
Shelf support	Easy glide side racks
Number of shelves	2
Safety features	cool door
Closed door grilling	Yes
Included accessories	grill rack,2 x chromed wire shelf,grill/oven pan,grill insert,telescopic runner x 1,baking tray,side racks,wire shelf,AirFry tray
Layers of glass in door	4
Number of shelf positions	5

SHIPPING

Shipping Volume (m3)	0.675
Shipping Weight (Kg)	72
Pack Dimensions Height (mm)	900
Pack Dimension Width (mm)	1000

STUFFING QUANTITIES

40ft	96
------	----

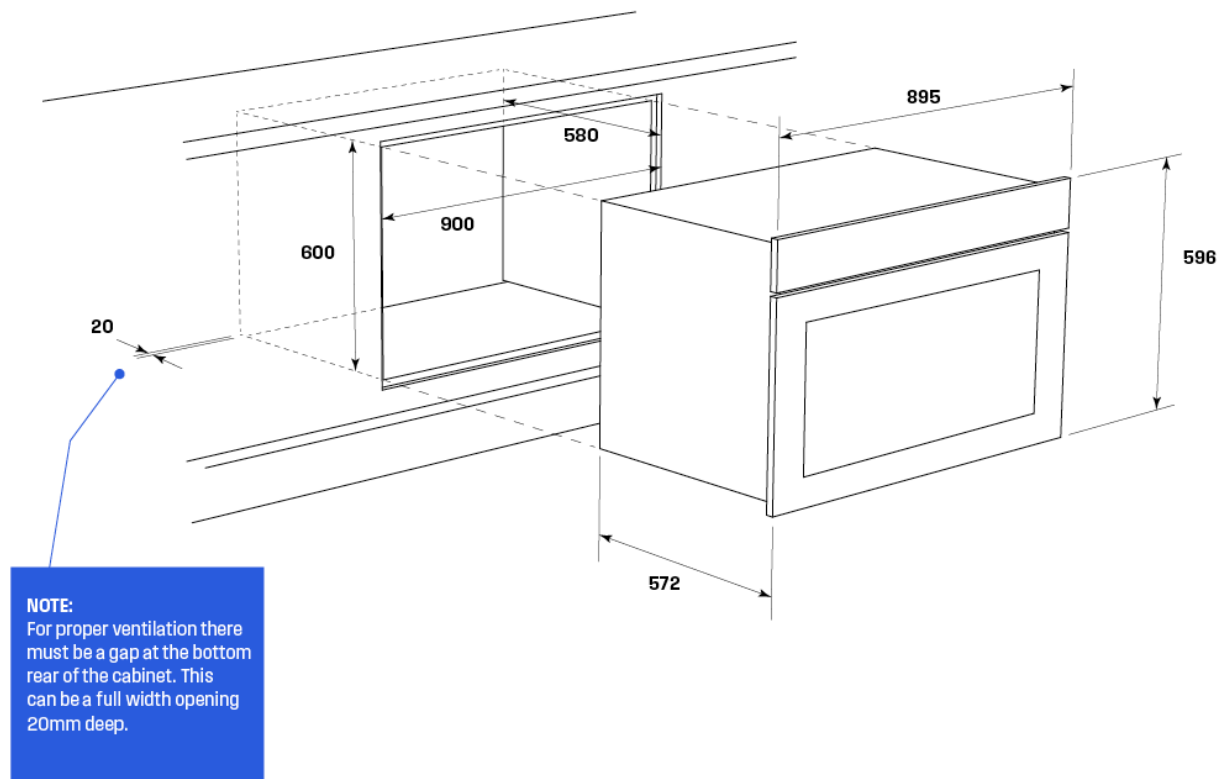
SHIPPING

Pack Dimension Depth (mm)	750
------------------------------	-----

Dimensions

90cm ovens

WVE9515SD, WVE9516DD, WVEP9716SD, WVEP9917DD,
WVE9915DDA, WVE9915SDA



IMPORTANT

These dimensions are a guide only. All measurements are in millimetres (mm).
For complete installation instructions, refer to the manual provided with product.

Terms and Conditions

IMPORTANT

This is a guide of product dimensions only. For complete installation instructions, refer to the manual provided with product.

PRODUCT INFORMATION

The descriptors and illustrations in this publication apply to the specific products and models described as at the date of issue. Under our policy of continuous product development, product specifications may change without notice. Prospective purchasers should therefore check with their retailer to ensure this publication correctly describes the products that are being offered for sale. All information supplied is to be used for general reference purposes only and is on the understanding that Electrolux Home Products Pty Ltd (Australia) and Electrolux (NZ) Ltd (New Zealand) will not be liable for any loss, liability or damage of whatever kind arising as a result of reliance on such information. Colours of products illustrated are as close as printing limitations allow. Electrolux will at all times comply with its obligations pursuant to law including Trade Practices (Australian Consumer Law) Act and Regulations.

WARRANTY

This warranty only applies to Appliances purchased and used in Australia or New Zealand and used in normal domestic applications and is in addition to (and does not exclude, restrict, or modify in any way) any non-excludable statutory warranties in Australia or New Zealand. All warranties are subject to the conditions set out in the warranty card accompanying the product when purchased.

ELECTROLUX HOME PRODUCTS AUSTRALIA

telephone: 1300 363 640

fax: 1800 350 067

email: customercare@electrolux.com.au

web: www.electrolux.com.au

ELECTROLUX HOME PRODUCTS NEW ZEALAND

telephone: 09 573 2230

fax: 09 573 2221

email: customercare@electrolux.co.nz

web: www.electrolux.co.nz