

90cm multi-function 8 dark stainless steel oven with AirFry, telescopic runners, twin fan, and 125L gross capacity.



## Product Details

### FEATURES

---

|                                |                    |                       |   |
|--------------------------------|--------------------|-----------------------|---|
| AirFry                         | Twin Fan System    | Fast Heat Up          | Telescopic Runners<br>One set of telescopic runners |
| Large 125L gross oven capacity | Programmable timer | Easy guide side racks | Cooler to Touch Doors                               |
| Dark Stainless Steel Finish    |                    |                       |   |

---

### BENEFITS

---

**AirFry for that perfect crunch**  
When a food craving hits, make healthier and delicious food right in your oven with minimal oil. Deliver all the flavour and none of the guilt. AirFry allows you to make healthier, tasty meals for the entire family right in your oven.

**Even cooking twin fan system**  
Our twin fan system that works to evenly distribute heat throughout the oven so you can enjoy delicious results every time.

**Dinner's done sooner with our fast heat up oven**  
Why wait longer? Our fast oven heat up means you can get on with the job of getting dinner on the table sooner.

**ACCESS ALL AREAS WITH EASE**  
Telescopic runners make it easy for you to slide trays in and out of the oven. This provides safe, effortless access, making it easier to baste during cooking or check on how a dish is coming along. The runners also make light work of lifting and removing hot trays or heavy dishes.

**All the room for all your family favourites**  
If you are serious about creating delicious family feasts and you love entertaining, you'll be right at home with our 90cm oven with a generous 125L gross capacity. That's plenty of room for the biggest Christmas turkey or a weekend roast for all the family. The extra width makes getting things in and out super easy.

**Built in Australia**  
Westinghouse, has been the heart of the home for generations and the kitchen appliance brand we have always known and trusted to build reliable products. This oven is built in a local factory in Adelaide.

Place your shelves in with ease  
Our easy guide side racks allow you to place your oven  
shelves in with ease.

---

## Specifications

### PRODUCT PROFILE

---

|                                 |   |
|---------------------------------|---|
| Domestic warranty details (yrs) | 2 |
|---------------------------------|---|

---

|              |             |
|--------------|-------------|
| Type of Oven | single oven |
|--------------|-------------|

---

|           |          |
|-----------|----------|
| Oven fuel | electric |
|-----------|----------|

---

|                  |                      |
|------------------|----------------------|
| Materials/Colour | Dark stainless steel |
|------------------|----------------------|

---

|                  |  |
|------------------|--|
| Controls of Oven | 3 button touch control<br>LED,control knob |
|------------------|--|

---

|             |     |
|-------------|-----|
| Cooling fan | Yes |
|-------------|-----|

---

### FLUSH FIT CUT OUT

---

|                               |     |
|-------------------------------|-----|
| Flush fit cut out height (mm) | 600 |
|-------------------------------|-----|

---

|                              |     |
|------------------------------|-----|
| Flush fit cut out width (mm) | 900 |
|------------------------------|-----|

---

|                              |     |
|------------------------------|-----|
| Flush fit cut out depth (mm) | 581 |
|------------------------------|-----|

---

### DIMENSIONS

#### PRODUCT DIMENSION

---

|                   |     |
|-------------------|-----|
| Total height (mm) | 596 |
|-------------------|-----|

---

|                  |     |
|------------------|-----|
| Total width (mm) | 895 |
|------------------|-----|

---

|                  |     |
|------------------|-----|
| Total depth (mm) | 573 |
|------------------|-----|

---

### MAIN OVEN

---

|                       |     |
|-----------------------|-----|
| Gross capacity litres | 125 |
|-----------------------|-----|

---

|                         |     |
|-------------------------|-----|
| Useable capacity litres | 116 |
|-------------------------|-----|

---

|               |               |
|---------------|---------------|
| Oven function | multifunction |
|---------------|---------------|

---

|                     |   |
|---------------------|---|
| Number of functions | 8 |
|---------------------|---|

---

## ELECTRICAL CONNECTION

|                               |           |
|-------------------------------|-----------|
| Connected load KW             | 4.3       |
| Maximum current rating (amps) | 17.9      |
| Type of connection            | hardwired |

## MAIN OVEN

|                 |   |
|-----------------|---|
| Oven Functions  | maxi grill,base heat,fan grill,fan forced cooking,pizza,AirFry,traditional bake,SteamAssist Clean |
| Oven liner      | pyrolux high temperature enamel   |
| Timer functions | duration,end,minute minder,oven start   |
| Light wattage   | 25  |

## OTHER FEATURES

|                    |  |
|--------------------|--|
| Door               | removable door,removable inner glass panes,drop down |
| Timer              | 3 button touch control programmable timer            |
| Lights             | 2  |
| Light wattage      | 25   |
| Light position     | top  |
| Telescopic runners | one  |
| Shelf support      | side rack  |
| Number of shelves  | 2  |

## OTHER FEATURES

---

|                 |           |
|-----------------|-----------|
| Safety features | cool door |
|-----------------|-----------|

---

|                      |     |
|----------------------|-----|
| Closed door grilling | Yes |
|----------------------|-----|

---

|                      |   |
|----------------------|---|
| Included accessories | grill insert,grill/oven pan,telescopic runner x 1,baking tray,side racks,wire shelf,AirFry tray |
|----------------------|---|

---

|                         |   |
|-------------------------|---|
| Layers of glass in door | 3 |
|-------------------------|---|

---

|                           |   |
|---------------------------|---|
| Number of shelf positions | 5 |
|---------------------------|---|

---

## SHIPPING

---

|                      |       |
|----------------------|-------|
| Shipping Volume (m3) | 0.675 |
|----------------------|-------|

---

|                      |    |
|----------------------|----|
| Shipping Weight (Kg) | 65 |
|----------------------|----|

---

|                             |     |
|-----------------------------|-----|
| Pack Dimensions Height (mm) | 900 |
|-----------------------------|-----|

---

|                           |      |
|---------------------------|------|
| Pack Dimension Width (mm) | 1000 |
|---------------------------|------|

---

|                           |     |
|---------------------------|-----|
| Pack Dimension Depth (mm) | 750 |
|---------------------------|-----|

---

## STUFFING QUANTITIES

---

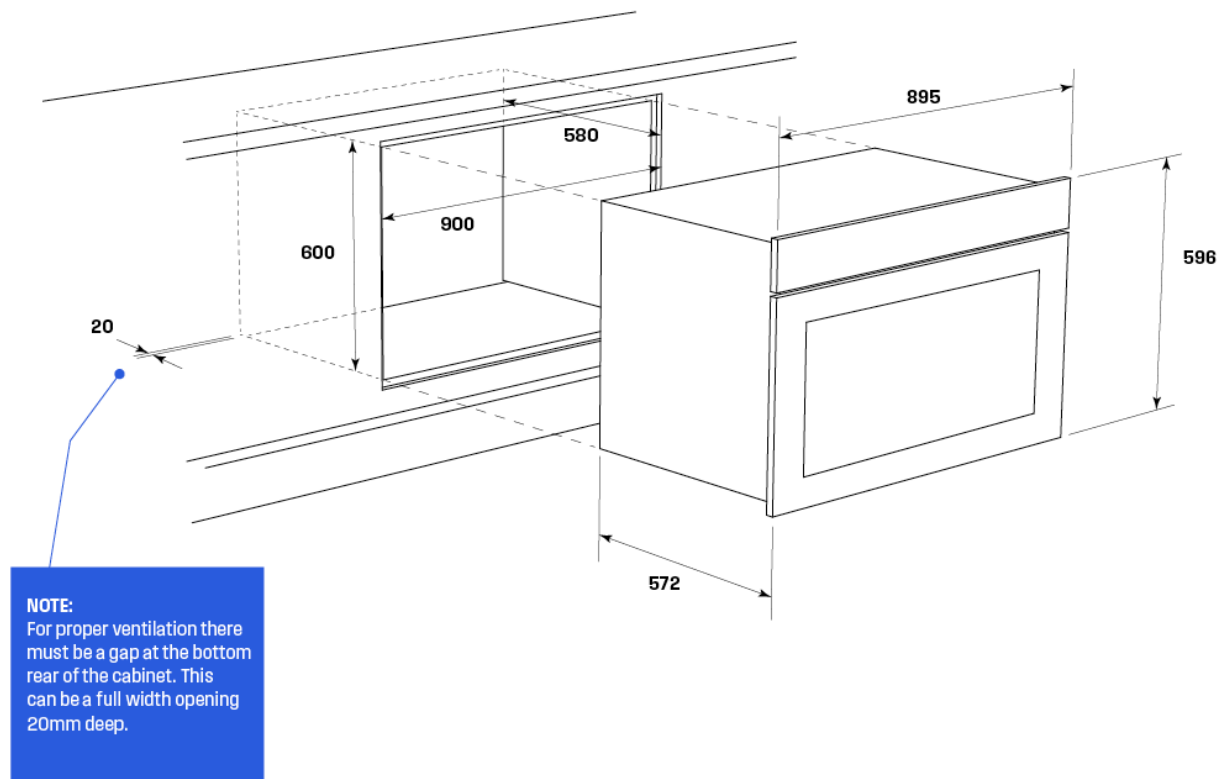
|      |    |
|------|----|
| 40ft | 96 |
|------|----|

---

## Dimensions

### 90cm ovens

WVE9515SD, WVE9516DD, WVEP9716SD, WVEP9917DD,  
WVE9915DDA, WVE9915SDA



**IMPORTANT**

These dimensions are a guide only. All measurements are in millimetres (mm).  
For complete installation instructions, refer to the manual provided with product.

# Terms and Conditions

## IMPORTANT

This is a guide of product dimensions only. For complete installation instructions, refer to the manual provided with product.

## PRODUCT INFORMATION

The descriptors and illustrations in this publication apply to the specific products and models described as at the date of issue. Under our policy of continuous product development, product specifications may change without notice. Prospective purchasers should therefore check with their retailer to ensure this publication correctly describes the products that are being offered for sale. All information supplied is to be used for general reference purposes only and is on the understanding that Electrolux Home Products Pty Ltd (Australia) and Electrolux (NZ) Ltd (New Zealand) will not be liable for any loss, liability or damage of whatever kind arising as a result of reliance on such information. Colours of products illustrated are as close as printing limitations allow. Electrolux will at all times comply with its obligations pursuant to law including Trade Practices (Australian Consumer Law) Act and Regulations.

## WARRANTY

This warranty only applies to Appliances purchased and used in Australia or New Zealand and used in normal domestic applications and is in addition to (and does not exclude, restrict, or modify in any way) any non-excludable statutory warranties in Australia or New Zealand. All warranties are subject to the conditions set out in the warranty card accompanying the product when purchased.

### ELECTROLUX HOME PRODUCTS AUSTRALIA

telephone: 1300 363 640

fax: 1800 350 067

email: [customercare@electrolux.com.au](mailto:customercare@electrolux.com.au)

web: [www.electrolux.com.au](http://www.electrolux.com.au)

### ELECTROLUX HOME PRODUCTS NEW ZEALAND

telephone: 09 573 2230

fax: 09 573 2221

email: [customercare@electrolux.co.nz](mailto:customercare@electrolux.co.nz)

web: [www.electrolux.co.nz](http://www.electrolux.co.nz)