

90cm multi-function 8 stainless steel oven with twin fan, fast heat up, programmable timer, and 125L gross capacity.



## Product Details

### FEATURES

---

Twin Fan System

Fast Heat Up

Large 125L gross oven capacity

Programmable timer

---

Easy guide side racks

Cooler to Touch Doors

Fingerprint resistant stainless steel

---

### BENEFITS

---

Even cooking twin fan system

Our twin fan system that works to evenly distribute heat throughout the oven so you can enjoy delicious results every time.

Dinner's done sooner with our fast heat up oven

Why wait longer? Our fast oven heat up means you can get on with the job of getting dinner on the table sooner.

---

All the room for all your family favourites

If you are serious about creating delicious family feasts and you love entertaining, you'll be right at home with our 90cm oven with a generous 125L gross capacity. That's plenty of room for the biggest Christmas turkey or a weekend roast for all the family. The extra width makes getting things in and out super easy.

Programmable timer

The programmable timer gives the ability to plan your start and finish cooking time to the minute.

---

Place your shelves in with ease

Our easy guide side racks allow you to place your oven shelves in with ease.

Built in Australia

Westinghouse, has been the heart of the home for generations and the kitchen appliance brand we have always known and trusted to build reliable products. This oven is built in a local factory in Adelaide.

---

## Specifications

### PRODUCT PROFILE

---

Domestic warranty details (yrs)	2
Type of Oven	single oven
Oven fuel	electric
Materials/Colour	mark resistant stainless steel
Controls of Oven	3 button touch control LED, control knob
Cooling fan	Yes

### FLUSH FIT CUT OUT

---

Flush fit cut out height (mm)	600
Flush fit cut out width (mm)	900
Flush fit cut out depth (mm)	581

### DIMENSIONS

---

#### PRODUCT DIMENSION

---

Total height (mm)	596
Total width (mm)	895
Total depth (mm)	573

### MAIN OVEN

---

Gross capacity litres	125
Useable capacity litres	116
Oven function	multifunction
Number of functions	8

### MAIN OVEN

Oven Functions	grill,defrost,base heat,fan grill,rapid heat,fan forced cooking,bake/pizza,Light
Oven liner	pyrolux high temperature enamel
Timer functions	duration,end,minute minder,oven start
Light wattage	25

### ELECTRICAL CONNECTION

Connected load KW	3.6
Maximum current rating (amps)	15
Type of connection	hardwired

### OTHER FEATURES

Door	removable door,removable inner glass panes,drop down
Timer	3 button touch control programmable timer
Lights	2
Light wattage	25
Light position	top
Shelf support	side rack
Number of shelves	2
Safety features	cool door
Closed door grilling	Yes

### COOKTOP (IF APPLICABLE)

### ELECTRICAL CONNECTION

Connected load KW	3.6
-------------------	-----

Maximum current rating Amps	15
--------------------------------	----

### STUFFING QUANTITIES

40ft	96
------	----

### OTHER FEATURES

Included accessories	2 x chromed wire shelf,grill insert,grill/oven pan,side racks
----------------------	---

Layers of glass in door	3
-------------------------	---

Number of shelf positions	5
---------------------------	---

### SHIPPING

Shipping Volume (m3)	0.675
----------------------	-------

Shipping Weight (Kg)	65
----------------------	----

Pack Dimensions Height (mm)	900
--------------------------------	-----

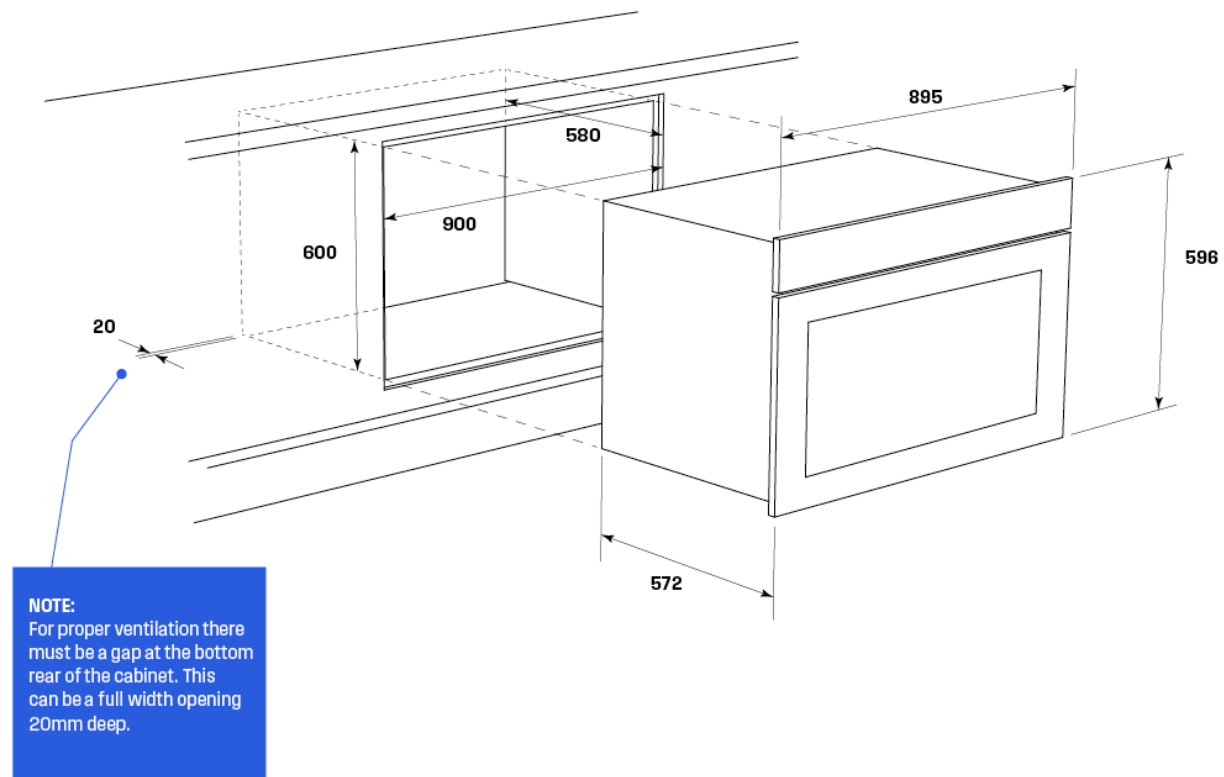
Pack Dimension Width (mm)	1000
------------------------------	------

Pack Dimension Depth (mm)	750
------------------------------	-----

## Dimensions

### 90cm ovens

WVE9515SD, WVE9516DD, WVEP9716SD, WVEP9917DD,  
WVE9915DDA, WVE9915SDA



#### IMPORTANT

These dimensions are a guide only. All measurements are in millimetres (mm).  
For complete installation instructions, refer to the manual provided with product.

# Terms and Conditions

## IMPORTANT

This is a guide of product dimensions only. For complete installation instructions, refer to the manual provided with product.

## PRODUCT INFORMATION

The descriptors and illustrations in this publication apply to the specific products and models described as at the date of issue. Under our policy of continuous product development, product specifications may change without notice. Prospective purchasers should therefore check with their retailer to ensure this publication correctly describes the products that are being offered for sale. All information supplied is to be used for general reference purposes only and is on the understanding that Electrolux Home Products Pty Ltd (Australia) and Electrolux (NZ) Ltd (New Zealand) will not be liable for any loss, liability or damage of whatever kind arising as a result of reliance on such information. Colours of products illustrated are as close as printing limitations allow. Electrolux will at all times comply with its obligations pursuant to law including Trade Practices (Australian Consumer Law) Act and Regulations.

## WARRANTY

This warranty only applies to Appliances purchased and used in Australia or New Zealand and used in normal domestic applications and is in addition to (and does not exclude, restrict, or modify in any way) any non-excludable statutory warranties in Australia or New Zealand. All warranties are subject to the conditions set out in the warranty card accompanying the product when purchased.

### ELECTROLUX HOME PRODUCTS AUSTRALIA

telephone: 1300 363 640

fax: 1800 350 067

email: [customercare@electrolux.com.au](mailto:customercare@electrolux.com.au)

web: [www.electrolux.com.au](http://www.electrolux.com.au)

### ELECTROLUX HOME PRODUCTS NEW ZEALAND

telephone: 09 573 2230

fax: 09 573 2221

email: [customercare@electrolux.co.nz](mailto:customercare@electrolux.co.nz)

web: [www.electrolux.co.nz](http://www.electrolux.co.nz)