

**10kg capacity top load washing machine with easy to use controls, everyday fast wash programs and durable soft close glass lid.**



## Product Details

### FEATURES

---

#### Fast wash programs

#### Wash options you really need

#### Inverter motor

The inverter motor delivers quieter operation, improvements in energy efficiency and improved durability, backed by a 10 year parts and labour inverter motor warranty ensuring peace of mind.

#### Delay end option to plan when your wash finishes

#### Gentle drum

---

### BENEFITS

---

#### A cooler clean

The tiniest fingers might leave the biggest imprint on your heart but they won't on your clothes thanks to our PreMix+ technology. For a wash at cooler temperatures, PreMix+ blends detergent with water and pressure sprays it onto the load to reduce detergent residue.

#### Keep you on time

Let our handy time remaining display count down to the program finish, so you know when your wash will be done. If only bedtime was that easy.

#### Softly does it

Honey, you won't shrink the kids or any of your other favourite items with our gentle wash action a handwash equivalent for your delicates at the press of a button.

#### Ease your load

You won't need a background in IT to operate our easy use, easy clean, inclusive control panels. Because technology is supposed to make your life easier.

#### Help in a hurry

Whether its a fast 20 minute wash because your favourite top needs a freshen up, a 45 minute mid-week daily wash or a Fullload 60 program after a muddy weekend of sport, our Fast Wash Programs mean you can get on with your day without delay.

#### Save water, choose Westinghouse

Our auto water level sensor conserves precious H2O, automatically choosing the ideal water level for each wash. If only it could perfectly pour your Friday night wine, too.

---

#### Forgiving on fingers

Our soft closing child-safe lid means little fingers won't get a nasty surprise. Plus, our washing machines feature a child safe lid lock for added peace of mind.

---

#### Fold on the go

Traditional whitegoods get an upgrade with our premium safety glass lid. Not only is it stylish and durable, it offers an extra laundry workspace thanks to the scratch resistant flat top.

---

#### Back to black

Our simple access easy clean lint filter means your leggings will stay black and not just become a grey fuzz magnet.

---

#### Better results with a new gentler drum

Designed to treat your clothes with the care they deserve, the gentle drum has thousands of holes to enhance the water flow rate so that detergent dissolves faster. This improves effectiveness and ensures a deeper clean.

---

# Specifications

## PRODUCT PROFILE

Washing Machine Type	Top load washing machine
Domestic warranty details (yrs)	2
Capacity (Kg)	10
Toploader Wash system	PreMix+

## ENERGY

Water Efficiency Star Rating	3.5
WELS Registration Number	C02088
Water Consumption (litres)	122
Energy Efficiency Star Rating	4
Energy Consumption Cold Water (kWhr/yr)	188
Energy Consumption Warm (KWhr/yr)	324

## DIMENSIONS

Total height (mm)	1095
Total width (mm)	670
Total depth (mm)	720
Height with lid open (mm)	1460
Depth with hoses (mm)	745

## WASH PROGRAMS

Number of Programs	12
Toploader Wash programs	Delicate,Rinse & Spin,Bedding,Daily 45,Fast 20,Full Load 60,Dirty 90,Extra Dirty 120,Spin,Machine Clean,Eco Save,Stain
Wash options	Rinse,Child Lock,Water Level,Temperature,Spin Option,Delay End,Start/Pause
weight (kg)	10
Dispenser	bleach dispenser,Softener dispenser,Powder or liquid detergent dispenser

## CONTROLS

---

Type of controls      electronic rotary,electronic

---

Control panel colour      grey

---

Functions available      Child Lock,PreMix,Temperature

---

Type of display      LCD

---

Dirt level selection      No

---

## BOWL

---

Spin tub material      stainless steel

---

## CABINET

---

Cabinet Colour      white

---

Cabinet Type      curved front

---

## WASH PROGRAMS

---

On screen stain guide      No

---

## BUTTON FUNCTION

---

Button Functions      water temp,water level,Child lock,start/pause,rinse option,spin speed

---

## LID

---

Lid Removal      no

---

Lid Type      Soft closing lid,glass insert

---

Lid Colour      Black

---

## TECHNICAL

---

Water pressure requirements min      50

---



## SHIPPING

---

Shipping Volume (m3)	.609
Shipping Weight (Kg)	56
Pack Dimensions Height (mm)	1132
Pack Dimension Width (mm)	707
Pack Dimension Depth (mm)	761

## STUFFING QUANTITIES

---

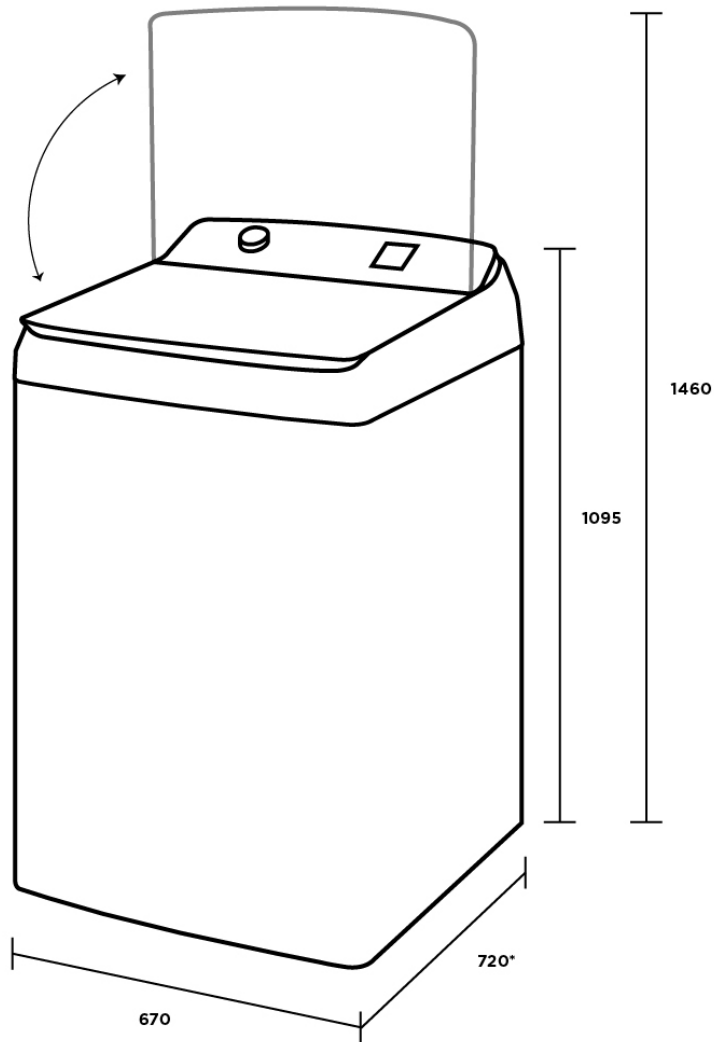
40ft HC	90
---------	----

---

## Dimensions

### Top Load Washers

WWT8084J7WA  
WWT9084C7WA  
WWT1084C7WA  
WWT1184C7WA  
WWT1284M7WA



\*Add 25mm for the hose protrusion at the back

#### IMPORTANT

These dimensions are a guide only. All measurements are in millimetres (mm).  
For complete installation instructions, refer to the manual provided with product.



# Terms and Conditions

## IMPORTANT

This is a guide of product dimensions only. For complete installation instructions, refer to the manual provided with product.

## PRODUCT INFORMATION

The descriptors and illustrations in this publication apply to the specific products and models described as at the date of issue. Under our policy of continuous product development, product specifications may change without notice. Prospective purchasers should therefore check with their retailer to ensure this publication correctly describes the products that are being offered for sale. All information supplied is to be used for general reference purposes only and is on the understanding that Electrolux Home Products Pty Ltd (Australia) and Electrolux (NZ) Ltd (New Zealand) will not be liable for any loss, liability or damage of whatever kind arising as a result of reliance on such information. Colours of products illustrated are as close as printing limitations allow. Electrolux will at all times comply with its obligations pursuant to law including Trade Practices (Australian Consumer Law) Act and Regulations.

## WARRANTY

This warranty only applies to Appliances purchased and used in Australia or New Zealand and used in normal domestic applications and is in addition to (and does not exclude, restrict, or modify in any way) any non-excludable statutory warranties in Australia or New Zealand. All warranties are subject to the conditions set out in the warranty card accompanying the product when purchased.

### ELECTROLUX HOME PRODUCTS AUSTRALIA

telephone: 1300 363 640

fax: 1800 350 067

email: [customercare@electrolux.com.au](mailto:customercare@electrolux.com.au)

web: [www.electrolux.com.au](http://www.electrolux.com.au)

### ELECTROLUX HOME PRODUCTS NEW ZEALAND

telephone: 09 573 2230

fax: 09 573 2221

email: [customercare@electrolux.co.nz](mailto:customercare@electrolux.co.nz)

web: [www.electrolux.co.nz](http://www.electrolux.co.nz)