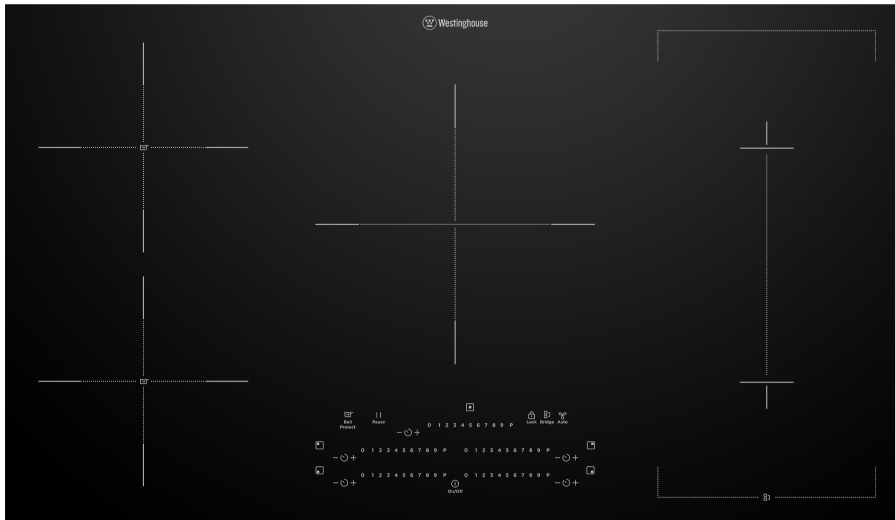


90cm 5 zone induction cooktop with BoilProtect (2 zones), MaxiZone, Bridge Zone, Hob2Hood, PowerBoost and touch slide controls.



# Product Details

## FEATURES

Bridge zone	PowerBoost	Pause	Easy transition from ceramic cooktop
6.5kW rated input power	Hob2Hood	Perfect heat control	QuickCook Timer
Touch control	Easy cleaning	Residual heat indicator	Child safety device

## BENEFITS

**Bridge zone gives you room to move**  
 Even the biggest pots and pans can be catered for with Bridge Zone. Designed with busy family kitchens in mind, Bridge Zone lets you use two induction zones separately or link them together when you're cooking for a crowd.

**Larger pans are no problem**  
 Larger pots or pans are catered for with MaxiZone. Our extra large cooking zone ensures that heat will be delivered consistently to large pans to help cook your special dishes to perfection with ease.

**No more boiling over**  
 There are more exciting things to do than watching water boil. BoilProtect detects rising bubbles and automatically reduces to a low simmer. No more constant monitoring so you can focus on the flavours. Applies to stainless steel and enamelled pots filled with water only.

**Clear the air with Hob2Hood**  
 With Hob2Hood technology, compatible rangehoods work seamlessly with your induction or ceramic cooktop to clear your kitchen of cooking smells and steam. As you start cooking, the rangehood will automatically turn on then intuitively adjust the fan speed and airflow to match your cooking. How's that for hands-free convenience?

**Zero to Boil in no time**  
 With PowerBoost, you can rapidly boil a pot of water or quickly heat up a frying pan. Spend less time waiting and more time creating your favourite meals.

**Hold everything with our clever Pause function**  
 We know that family life is full of distractions. That's why you'll appreciate our clever Pause function. Simply touch the Pause icon on your cooktop and all operating induction zones will drop to Keep Warm mode. When you're ready to go again, hit Pause again and settings will return to where you left off.

# Specifications

## PRODUCT PROFILE

Domestic warranty details (yrs)	2
Cooktop type	induction
Materials/Colour	black ceramic glass

## DIMENSIONS

Total product height (mm)	51
Total product width (mm)	900
Total product depth (mm)	520
Cut out width (mm)	880
Cut out depth (mm)	490

## CONTROLS

Controls of Cooktops	Touch and Slide controls
Position of controls	front
Functions of Cooktops	timer,Keep warm function,pause,PowerBoost,Hob2Hood,Bridging,BoilProtect,MaxiZone
Indicators/display	fault indicator,residual heat warning lamps
Features of Cooktop	minute minder,safety cut off,electronic timer,safety child lock,hot surface indicator,Hob2Hood,BoilProtect,Bridge zone,MaxiZone
Timer of Cooktop	programmable 99min,countdown

## ELEMENTS/BURNERS

### LEFT FRONT ZONE

Left front zone	Bridge
Left front Watts	2300
Left front boost watts	3200
Left front number of cooking zones	1
Left front diameter mm	210

## CONTROLS

---

Readable temperature setting	No
------------------------------	----

---

## LEFT REAR ZONE

---

Left rear zone	Bridge
----------------	--------

---

Left rear watts	2300
-----------------	------

---

Left rear number of cooking zones	1
-----------------------------------	---

---

Left rear diameter mm	210
-----------------------	-----

---

## CENTRE FRONT ZONE

---

Centre front zone	induction
-------------------	-----------

---

Centre front Watts	1800
--------------------	------

---

Centre front number of cooking zones	1
--------------------------------------	---

---

Centre front diameter mm	280
--------------------------	-----

---

## RIGHT FRONT ZONE

---

Right front zone	induction
------------------	-----------

---

Right front Watts	2300
-------------------	------

---

Right front number of cooking zones	1
-------------------------------------	---

---

Right front diameter mm	140
-------------------------	-----

---

## RIGHT REAR ZONE

---

Right rear zone	induction
-----------------	-----------

---

Right rear watts	2300
------------------	------

---

Right rear number of cooking zones	1
------------------------------------	---

---

Right rear diameter mm	180
------------------------	-----

---

## ELECTRICAL SPECIFICATIONS

## SHIPPING

## ELECTRICAL SPECIFICATIONS

---

Connected load KW	7.35
-------------------	------

---

Type of connection	hardwired
--------------------	-----------

---

## SHIPPING

---

Shipping Volume (m3)	0.07
----------------------	------

---

Shipping Weight (Kg)	16.3
----------------------	------

---

Pack Dimensions Height (mm)	118
-----------------------------	-----

---

Pack Dimension Width (mm)	1000
---------------------------	------

---

Pack Dimension Depth (mm)	600
---------------------------	-----

---

## STUFFING QUANTITIES

---

20ft	400
------	-----

---

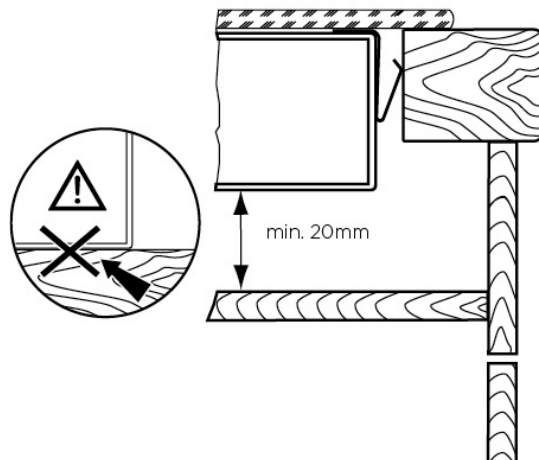
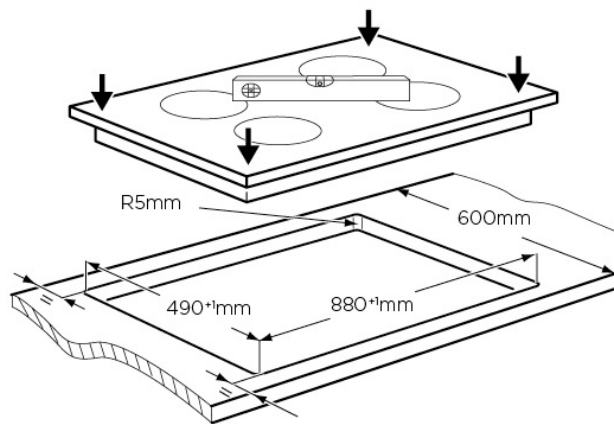
40ft HC	924
---------	-----

---

## Dimensions

### 90cm induction cooktops

WHI943BD, WHI955BD



#### IMPORTANT

These dimensions are a guide only. All measurements are in millimetres (mm).  
For complete installation instructions, refer to the manual provided with product.

# Terms and Conditions

## IMPORTANT

This is a guide of product dimensions only. For complete installation instructions, refer to the manual provided with product.

## PRODUCT INFORMATION

The descriptors and illustrations in this publication apply to the specific products and models described as at the date of issue. Under our policy of continuous product development, product specifications may change without notice. Prospective purchasers should therefore check with their retailer to ensure this publication correctly describes the products that are being offered for sale. All information supplied is to be used for general reference purposes only and is on the understanding that Electrolux Home Products Pty Ltd (Australia) and Electrolux (NZ) Ltd (New Zealand) will not be liable for any loss, liability or damage of whatever kind arising as a result of reliance on such information. Colours of products illustrated are as close as printing limitations allow. Electrolux will at all times comply with its obligations pursuant to law including Trade Practices (Australian Consumer Law) Act and Regulations.

## WARRANTY

This warranty only applies to Appliances purchased and used in Australia or New Zealand and used in normal domestic applications and is in addition to (and does not exclude, restrict, or modify in any way) any non-excludable statutory warranties in Australia or New Zealand. All warranties are subject to the conditions set out in the warranty card accompanying the product when purchased.

### ELECTROLUX HOME PRODUCTS AUSTRALIA

telephone: 1300 363 640

fax: 1800 350 067

email: [customercare@electrolux.com.au](mailto:customercare@electrolux.com.au)

web: [www.electrolux.com.au](http://www.electrolux.com.au)

### ELECTROLUX HOME PRODUCTS NEW ZEALAND

telephone: 09 573 2230

fax: 09 573 2221

email: [customercare@electrolux.co.nz](mailto:customercare@electrolux.co.nz)

web: [www.electrolux.co.nz](http://www.electrolux.co.nz)