

**90cm electric freestanding oven with Induction cooktop, multi-function 10 pyrolytic oven, EasyBake +Steam, AirFry, and Hob2Hood.**



## Product Details

### FEATURES

AirFry	EasyBake +Steam	Twin Fan System	Telescopic runners
PyroClean	Induction Enjoy the safety, speed and efficiency of induction cooking.	Bridge zone	Hob2Hood
40A power	Large 125L gross oven capacity	Fast Heat Up	Programmable timer
Quadruple glazed doors	Handy storage compartment Extra storage always comes in handy, so with a clever storage compartment you can easily stow away any extra pots and pans.	Dark Stainless Steel Finish	Clip-on plinth included

### BENEFITS

**AirFry for that perfect, crunch**  
When a food craving hits, make healthier and delicious food right in your oven with minimal oil. Deliver all the flavour and none of the guilt. AirFry allows you to make healthier, tasty meals for the entire family right in your oven.

**Tastier baking starts with steam**  
Take your baking to the next level with our EasyBake +Steam function. Steam helps you get a better rise, crispier crust, a fluffier centre and tastier textures for all your bread, pastries, cakes, and puddings.

**Twin fan system for even cooking**  
Cook each dish to perfection with the Twin Fan System. Fans rotate in opposite directions, distributing heat evenly throughout the oven, so you enjoy great results every time.

**Designed for ease and safety**  
Telescopic runners are another piece of thoughtful design that makes it easy to draw racks out and safely check on your dishes during cooking.

#### Induction cooking

Enjoy the safety and efficiency of induction cooking. Almost twice as fast as gas or electric in transforming energy into heat. What's more, induction cooking only generates heat in the cookware, so surfaces around the pot are cool to touch. Therefore the cooking environment remains cooler and safer. The surface is also easy to clean, as any spills are simply wiped away.

---

#### Built in Australia

Westinghouse, has been the heart of the home for generations and the kitchen appliance brand we have always known and trusted to build reliable products. This oven is built in a local factory in Adelaide.

---

#### Clear the air with Hob2Hood

With Hob2Hood technology, compatible rangehoods work seamlessly with your Freestanding cooker to clear your kitchen of cooking smells and steam. As you start cooking, the rangehood will automatically turn on then intuitively adjust the fan speed and airflow to match your cooking. How's that for hands-free convenience?

---

#### Easy installation

Before upgrading to your new induction freestanding cooker, ensure your house has enough power to run the appliance properly. This product can run from 40A of power, meaning you may not need to update your power board.

---

#### Ovens that clean up after themselves

Even cleaning up is easier with Westinghouse. Choose a PyroClean oven and with the press of a button you can keep your oven shiny and clean. The oven turns on to an extremely high temperature, turning grease and grime into ash. All you need to do is simply wipe the residue away. No nasty chemicals, no greasy mess just a sparkling clean oven with minimal effort.

---

## Specifications

### PRODUCT PROFILE

---

Domestic warranty details (yrs)	2
---------------------------------	---

---

Oven fuel	electric
-----------	----------

---

Materials/Colour	Dark stainless steel
------------------	----------------------

---

Controls of Oven	control knob,3 button touch control LED
------------------	---

---

Cooling fan	Yes
-------------	-----

---

Plinth colour (kickboard)	Dark stainless steel
---------------------------	----------------------

---

Anti tilt plate	Yes
-----------------	-----

---

Front/rear controls	front
---------------------	-------

---

### FLUSH FIT CUT OUT

---

Flush fit cut out height (mm)	900
-------------------------------	-----

---

Flush fit cut out width (mm)	900
------------------------------	-----

---

Flush fit cut out depth (mm)	600
------------------------------	-----

---

### DIMENSIONS

#### PRODUCT DIMENSION

---

Total height (mm)	906
-------------------	-----

---

Total width (mm)	895
------------------	-----

---

Total depth (mm)	600
------------------	-----

---

### MAIN OVEN

---

Gross capacity litres	125
-----------------------	-----

---

Useable capacity litres	116
-------------------------	-----

---

Oven function	multifunction
---------------	---------------

---

Number of functions	10
---------------------	----

---

## MAIN OVEN

Cleaning	pyrolytic
Oven liner	pyrolux high temperature enamel
Timer functions	duration,end,minute minder,oven start,Countdown,24 hour clock
Lights	2
Light wattage	25
Light position	top
Light activation by door	Yes
Layers of glass in door	4
Telescopic runners	one
Shelf support	Easy glide side racks
Number of shelves	2
Number of shelf positions	5
Closed door grilling	Yes

## ELECTRICAL CONNECTION

## SHIPPING

## ELECTRICAL CONNECTION

---

Connected load KW	9.6
Maximum current rating (amps)	40
Type of connection	hardwired

---

## STUFFING QUANTITIES

---

20ft	32
40ft	64
40ft HC	90

---

## ELEMENTS/BURNERS

---

Cooking zones	5
---------------	---

---

## LEFT REAR ZONE

---

## SHIPPING

---

Shipping Volume (m3)	0.675
Shipping Weight (Kg)	96
Pack Dimensions Height (mm)	900
Pack Dimension Width (mm)	1000
Pack Dimension Depth (mm)	750

---

## COOKTOP (IF APPLICABLE)

---

### PRODUCT PROFILE

---

Cook top type	full induction
Materials/Colour	black ceramic glass
Knob finish	Metalised dark finish

---

## LEFT FRONT ZONE

---

Left front Watts	2300
------------------	------

---

## CENTRE FRONT ZONE

---

---

Left rear zone	Bridge
----------------	--------

---

Left rear watts	2300
-----------------	------

---

---

Centre front Watts	3500
--------------------	------

---

## RIGHT FRONT ZONE

---

Right front Watts	2300
-------------------	------

---

## RIGHT REAR ZONE

---

Right rear watts	2300
------------------	------

---

## CONTROLS

---

Position of controls	front
----------------------	-------

---

Functions of Cooktops	timer,Keep warm function,pause,Hob2Hood,PowerBoost,MaxiZone
-----------------------	---

---

Timer of Cooktop	programmable 99min,countdown
------------------	------------------------------

---

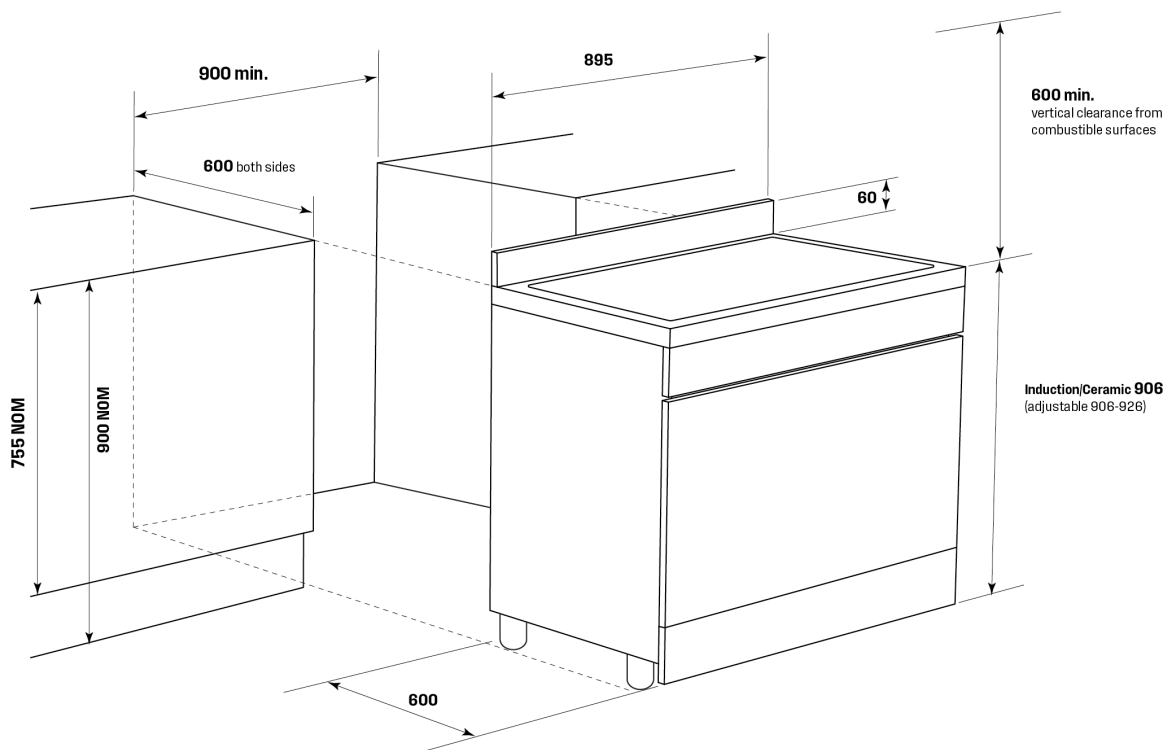
Readable temperature setting	No
------------------------------	----

---

# Dimensions

## 90cm freestanding cooker

WFE9546SD,  
WFEP9757DD



### IMPORTANT

These dimensions are a guide only. All measurements are in millimetres (mm).  
For complete installation instructions, refer to the manual provided with product.



# Terms and Conditions

## IMPORTANT

This is a guide of product dimensions only. For complete installation instructions, refer to the manual provided with product.

## PRODUCT INFORMATION

The descriptors and illustrations in this publication apply to the specific products and models described as at the date of issue. Under our policy of continuous product development, product specifications may change without notice. Prospective purchasers should therefore check with their retailer to ensure this publication correctly describes the products that are being offered for sale. All information supplied is to be used for general reference purposes only and is on the understanding that Electrolux Home Products Pty Ltd (Australia) and Electrolux (NZ) Ltd (New Zealand) will not be liable for any loss, liability or damage of whatever kind arising as a result of reliance on such information. Colours of products illustrated are as close as printing limitations allow. Electrolux will at all times comply with its obligations pursuant to law including Trade Practices (Australian Consumer Law) Act and Regulations.

## WARRANTY

This warranty only applies to Appliances purchased and used in Australia or New Zealand and used in normal domestic applications and is in addition to (and does not exclude, restrict, or modify in any way) any non-excludable statutory warranties in Australia or New Zealand. All warranties are subject to the conditions set out in the warranty card accompanying the product when purchased.

### ELECTROLUX HOME PRODUCTS AUSTRALIA

telephone: 1300 363 640

fax: 1800 350 067

email: [customercare@electrolux.com.au](mailto:customercare@electrolux.com.au)

web: [www.electrolux.com.au](http://www.electrolux.com.au)

### ELECTROLUX HOME PRODUCTS NEW ZEALAND

telephone: 09 573 2230

fax: 09 573 2221

email: [customercare@electrolux.co.nz](mailto:customercare@electrolux.co.nz)

web: [www.electrolux.co.nz](http://www.electrolux.co.nz)